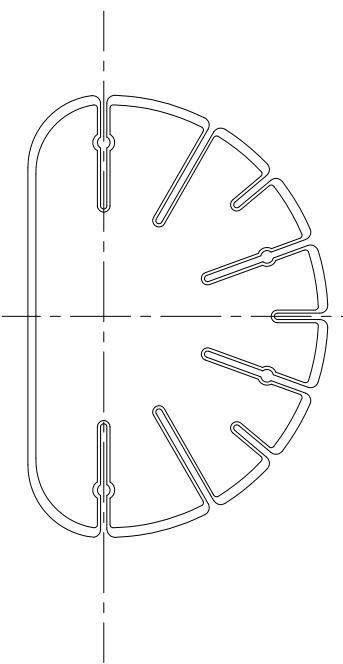
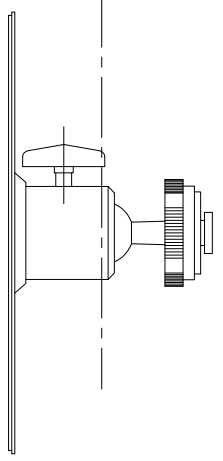
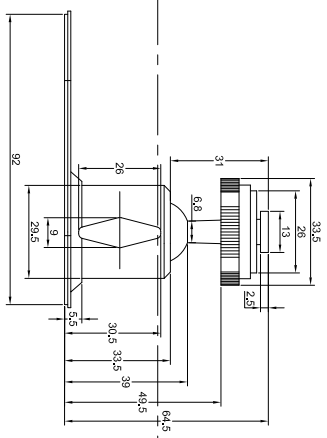
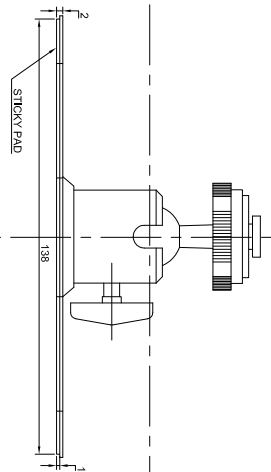
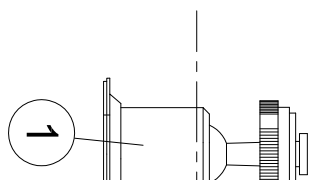
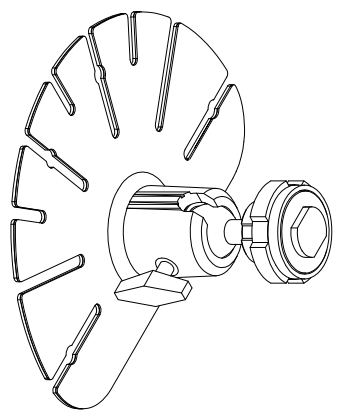
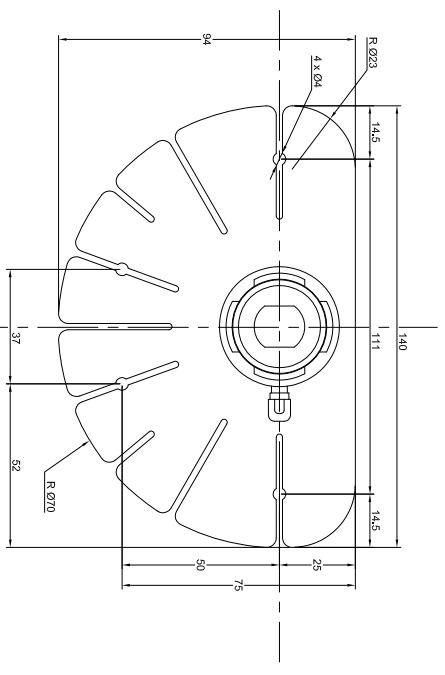


ITEM	QTY	DESCRIPTION
1	1	MONITOR BRACKET
2	4	Tp2 4x10 SCREWS (NOT SHOWN)



NOTES:
MATERIAL IS STEEL
FINISH IS PAINTED BLACK
DIMENSIONS IN MM

PROPRIETARY NOTICE
 THIS DESIGN AND TECHNICAL INFORMATION APPEARING ON THIS DRAWING IS THE PROPERTY OF BRIGADE ELECTRONICS PLC, AND IS DISCLOSED IN CONFIDENCE. IT IS NOT TO BE COPIED, REPRODUCED, REVEALED TO OR APPROPRIATE BY OTHERS, EITHER IN WHOLE OR IN PART WITHOUT THE EXPRESS WRITTEN CONSENT OF BRIGADE ELECTRONICS PLC.

Item#	Quantity	Title/Name, designation, material, dimension etc	Article No./Reference
Designed by MOUTIER	Checked by DKERAI	Approved by - date SMATTREWS	Date 18/06/09
BRIGADE ELECTRONICS		Filename GM	Scale N/A
BE-800M Series BKT (#3145)		Edition A	Sheet 1/1